



Website: <http://www.airsan.com>
 Email: contactus@airsan.com

4554 West Woolworth Avenue
 Milwaukee, WI 53218

Phone (414) 353-5800 or (800) 558-5494
 Fax (414) 353-8402

COMPACT SILENCER

Reduce Noise Caused by Heating and Air Conditioning Equipment

U.S. Patent No. 3,378,1000
 Can. Patent No. 825,997

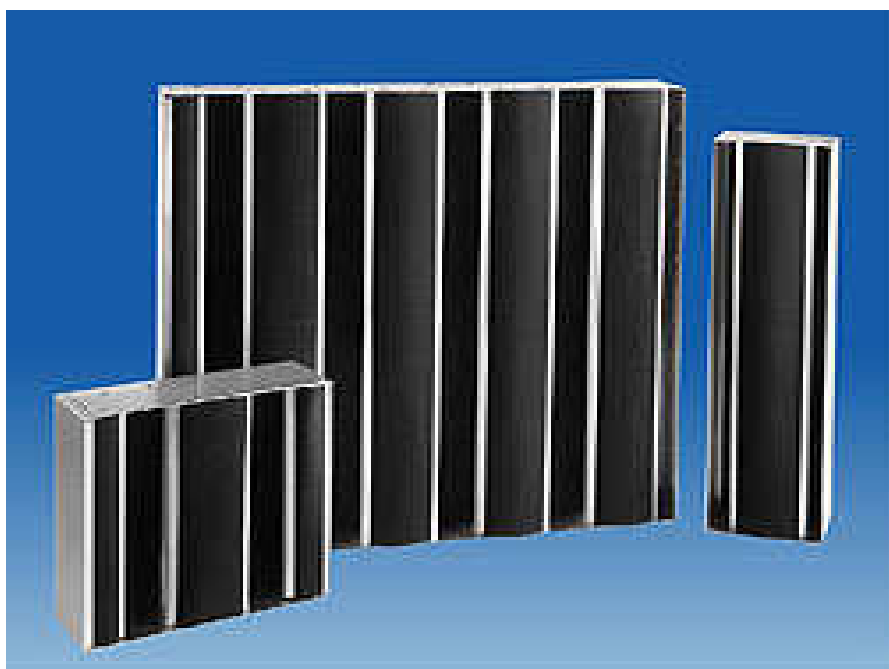
THE IDEAL "Transfer and Return-Air" SILENCER

Outstanding Features

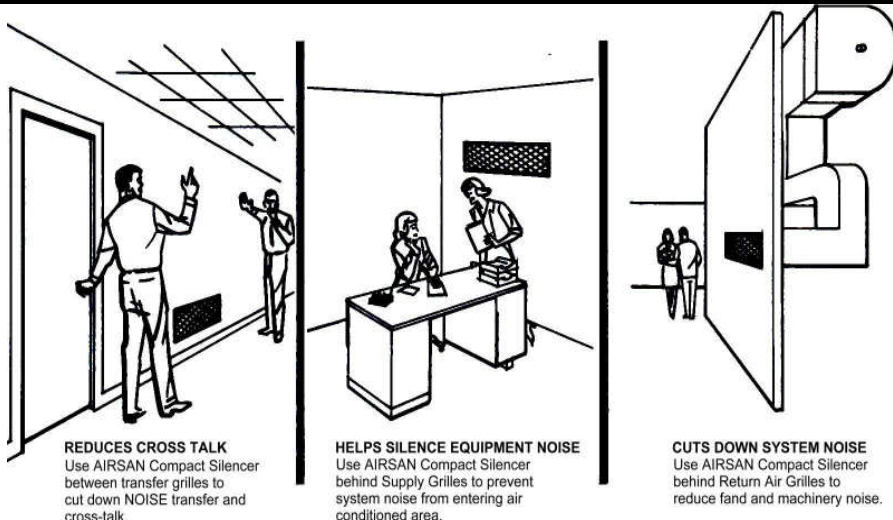
- Requires less space. Only 4" depth.
- Provides conversational privacy
- Reduces disturbing noises entering through air vents.
- Sound level cut down (by instrumentation or actual hearing test) with little resistance to air flow.
- Slim, compact, and easy to install.
- Special material and baffle plate arrangement absorbs sound waves.

FOR

- School Room Ventilating Systems
- Private Offices
- Doctors' Conference Rooms
- Hospital Rooms
- Libraries
- Broadcasting Studios



The AIRSAN COMPACT SILENCER is a 4" deep sound attenuator available in either a square or rectangular shape. It is non-directional to both air and sound.



AIRSAN COMPACT SILENCER

For Air Conditioning Equipment.

SELECTION

Determine the proper size in relation to airflow requirements by selecting the unit on the basis of allowable resistance to airflow. (See Resistance Chart (Fig. 2) below.) Note that one side must be a minimum of 6". This side is increased in multiples of 3". For example: 6" x 10" x 4"; 12" x 10" x 4"; (See Fig. 1).

IMPORTANT. For cost reasons, this 3" multiple side should be the SHORT SIDE. As a result, this reduces the number of baffles, thus producing an efficient and economical sound device. If need be, the 3" multiples can be on the long side on a **special basis**, and are priced accordingly.

DIMENSIONS

"AIRSAN" Compact Silencers may be used singly for requirements up to 48" x 48" maximum. However, sizes can be combined to meet your needs for larger openings similar to built-up panel filter banks. For example: Four 48" x 48" 's would be used to make a 96" x 96" bank. Two 24" x 36" units would make a 24" x 72" bank. Note: Dimension tolerance-plus nothing, minus 1/8".

The test information on these charts was obtained by independent labs (names on request) and we can certify they can be duplicated.

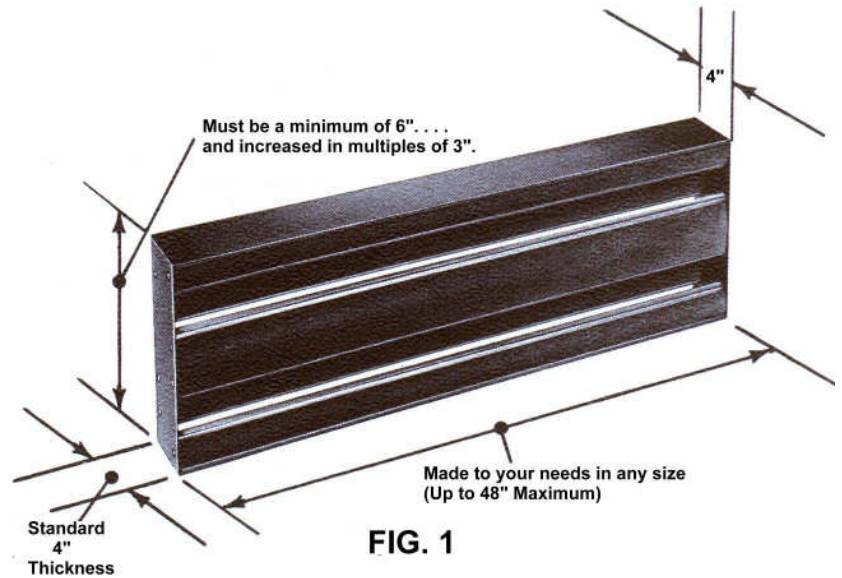


FIG. 1

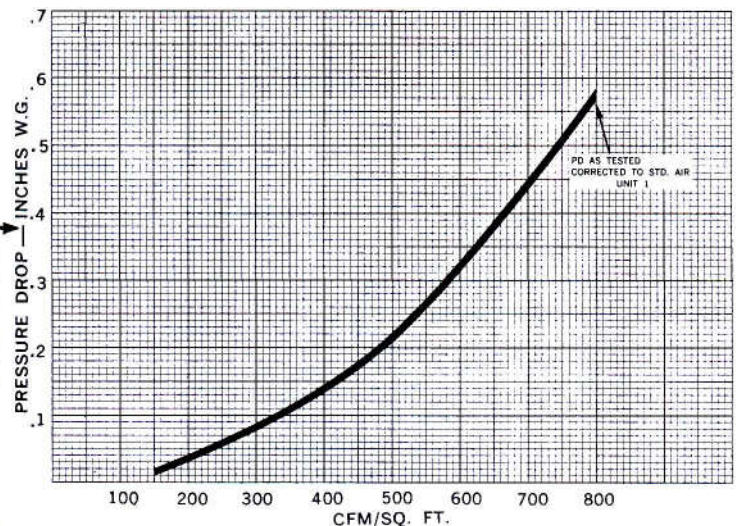


FIG. 2

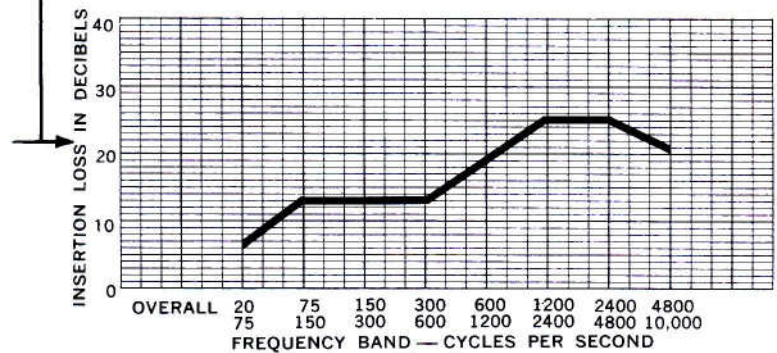


FIG. 3

