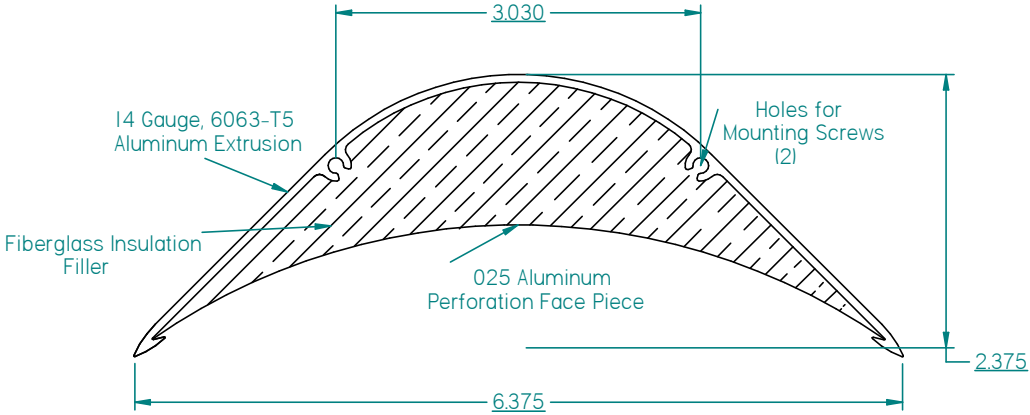


REVISION HISTORY			
REV	DESCRIPTION	DATE	APPROVED



This document contains information proprietary to Airsan Corporation, Milwaukee, WI. All rights to manufacture, copy, reproduce, or dispose of this drawing, or its contents are reserved unless specified in writing by Airsan Corporation.

	NAME	DATE	 4554 W. Woolworth Ave, Milwaukee, WI 53218, 800-558-5494 contactus@airsan.com - www.airsan.com		
DRAWN	DavidG	11-20-2012			
CHECKED			TITLE <b>ACOUSTITURN_ALUM</b> <b>(10_FT_LENGTH)</b>		
ENG APPR					
MGR APPR					
UNLESS OTHERWISE SPECIFIED DIMENSIONS ARE IN INCHES ANGLES ±XX° 2 PL ±XXX 3 PL ±XXXX			SIZE B	DWG NO <b>901212</b>	REV
			SCALE:	WEIGHT:	SHEET 1 OF 1