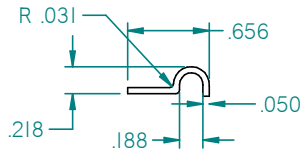
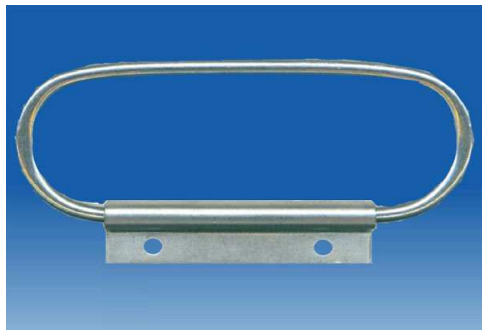
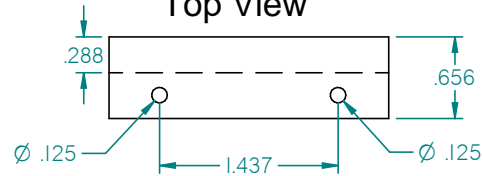


REVISION HISTORY			
REV	DESCRIPTION	DATE	APPROVED

Handle Clip
Side View



Handle Clip
Top View



Bail handles are supplied (at customer's request) to aid in the removal of filters from housings. Bail Handles may be ordered with filters by adding a "B" to the catalog description suffix.

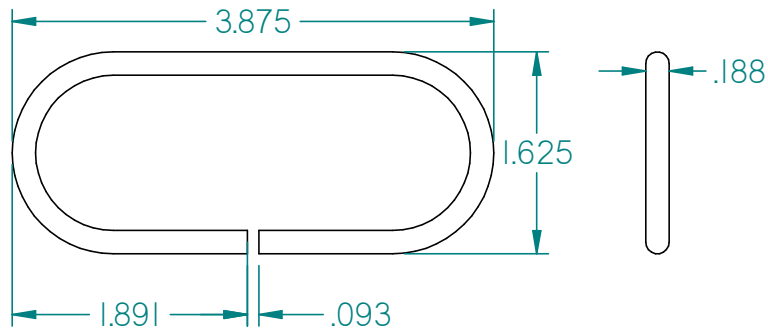
Examples: WGG2-2020B, AFGG2-2020B.

When Bail Handles are ordered separately they are sold by the pair in bags. Each bag contains 2 Bail Handles, 2 Handle Clips, and 4 pop rivets.

Airsan P/N: 903388, Galvanized

Airsan P/N: 904321, Aluminum

Airsan P/N: 904043, Stainless



This document contains information proprietary to Airsan Corporation, Milwaukee, WI. All rights to manufacture, copy, reproduce, or dispose of this drawing, or its contents are reserved unless specified in writing by Airsan Corporation.

	NAME	DATE	 4554 W. Woolworth Ave, Milwaukee, WI 53218, 800-558-5494 contactus@airsan.com - www.airsan.com	
DRAWN	DavidG	11-20-2012		
CHECKED			TITLE	
ENG APPR			HANDLE_BAIL_(PAIR)	
MGR APPR			SIZE B	DWG NO
UNLESS OTHERWISE SPECIFIED DIMENSIONS ARE IN INCHES ANGLES ±XX° 2 PL ±XXX 3 PL ±XXXX			BAIL HANDLES	
			SCALE:	WEIGHT:
			SHEET 1 OF 1	