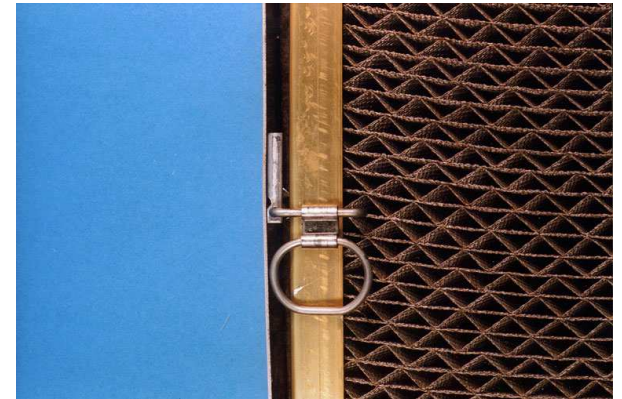
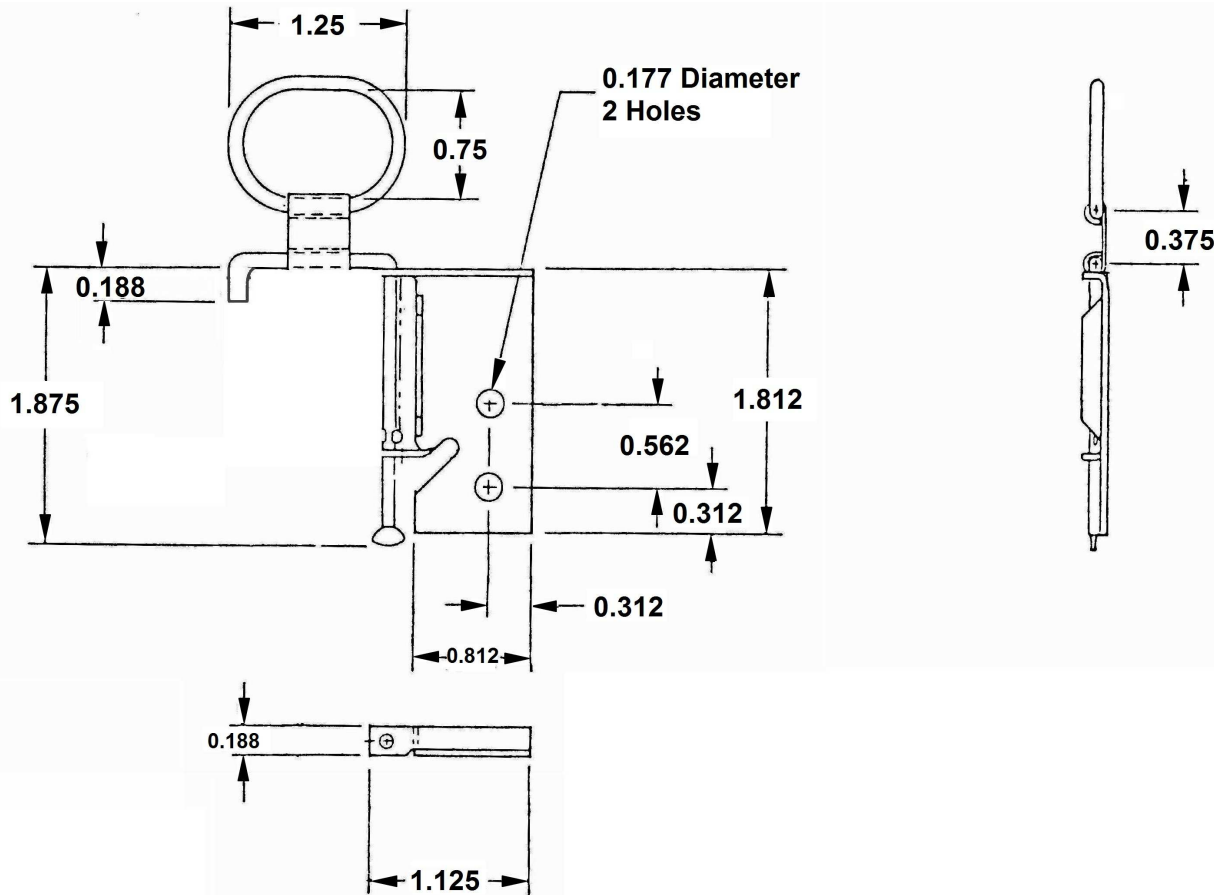


Airsan spring clips yield a positive filter retainment in many types of filter housings and are frequently used with air filter frames.

REVISION HISTORY			
REV	DESCRIPTION	DATE	APPROVED



MATERIAL	
Description	Part Number
Galvanized Steel	900681
Stainless Steel	900683

This document contains information proprietary to Airsan Corporation, Milwaukee, WI. All rights to manufacture, copy, reproduce, or dispose of this drawing, or its contents are reserved unless specified in writing by Airsan Corporation.

	NAME	DATE	AIRSAN	
DRAWN	DavidG	11-21-2012	4554 W. Woolworth Ave, Milwaukee, WI 53218, 800-558-5494 contactus@airsan.com - www.airsan.com	
CHECKED			TITLE	
ENG APPR			2" Spring Locks	
MGR APPR			SIZE B	DWG NO 900681, 900683 REV
UNLESS OTHERWISE SPECIFIED DIMENSIONS ARE IN INCHES ANGLES ±XX° 2 PL ±XXX 3 PL ±XXXX			SCALE:	WEIGHT:
			SHEET 1 OF 1	